



PRIMO[®] XM

Standard Seat with
Mechanical Suspension



GRAMMER

TECHNICAL DATA

PRIMO[®] XM

This model's low-constructed mechanical suspension with 80 mm of travel features an easily accessible ratcheting handle for optimal adjustment to the driver's weight. Safe, ergonomic sitting is also ideally enabled by a comfortable, 470-mm-wide seat cushion and mechanical lumbar support.



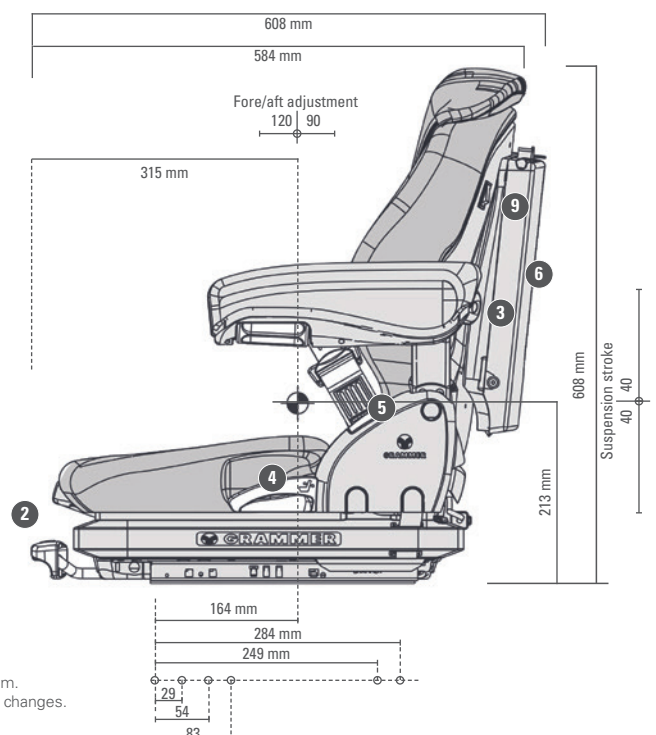
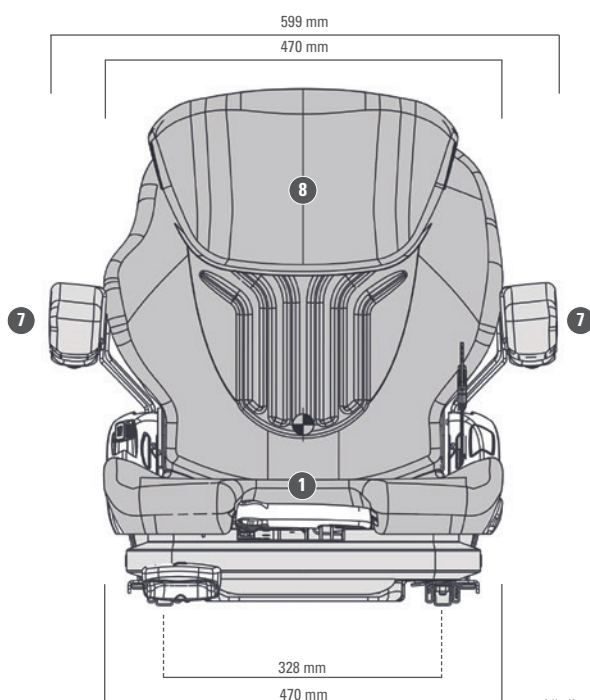
Features ● Standard ○ Optional

	PRIMO [®] XM
Article no. fabric	1293487
Article no. imitation leather	1091027
Shock absorber nonadjustable	●
1 Suspension	
Mechanical suspension	●
Suspension stroke 80 mm	●
1 Weight adjustment 45 - 170 kg	
Manual (mechanical)	●
2 Fore/aft adjustment 210 mm	●
3 Lumbar support	
Mechanical	●

	PRIMO [®] XM
4 Adjustable backrest angle	●
5 Restraint system	●
Seat cushion width	470 mm
Operator presence switch (OPS)	●
OPTIONAL FEATURES	
6 Document box	○
7 Armrests height-adjustable	○
Fore/After isolator*	○
8 Backrest extension	○
9 Seat heating	○

* Force/after isolator not for earth-moving machinery

Measurements (installation dimensions)



All dimensions in mm.
Subject to technical changes.